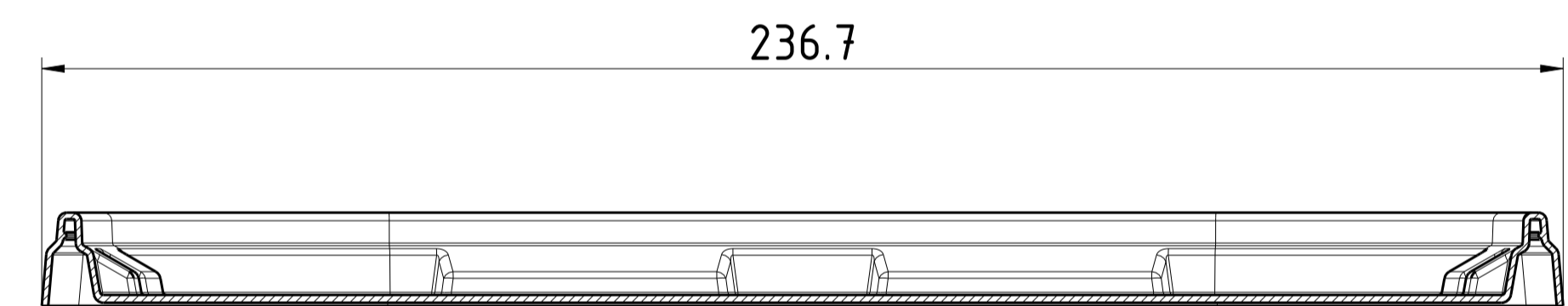
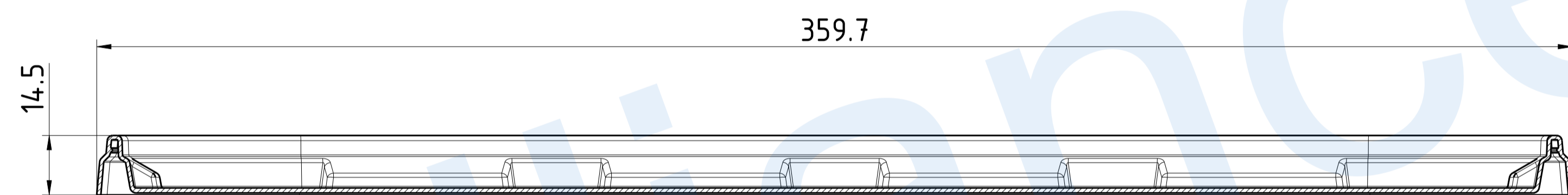


Alliance Plast



Weight lid : 109g.

				Drawing Nr.					
				Name					
Ch	Rev	Dokum Nr	Signature	Data					
Design by	Zoljedov			22.10.20	366x243 Lid				
				Material			HRC		
							Qty.	Scale	Sheet
							-	1:1	1/1
							A1		