
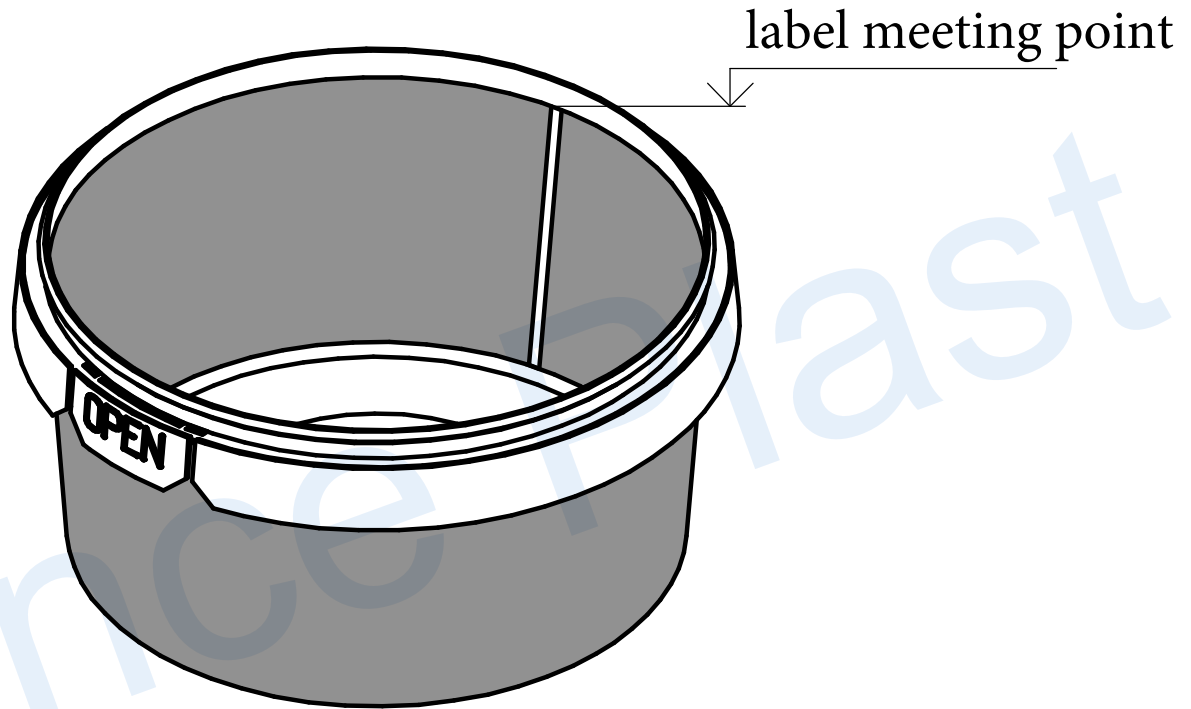



Weight container: 10.7g.
Weight lid: 5g.

					Drawing Nr.					
					Name					
Ch	Rew	Dokum Nr	Signature	Data	$\varnothing 95$ 210ml			Qty.	Scale	Sheet
Design by										
					Material		HRC			
									A4	



Alliance Plast

					Drawing Nr.					
					Name					
Ch	Rew	Dokum Nr	Signature	Data	\varnothing 95 210ml.			Qty.	Scale	Sheet
Design by										
					Material					
					PP					
										A4