
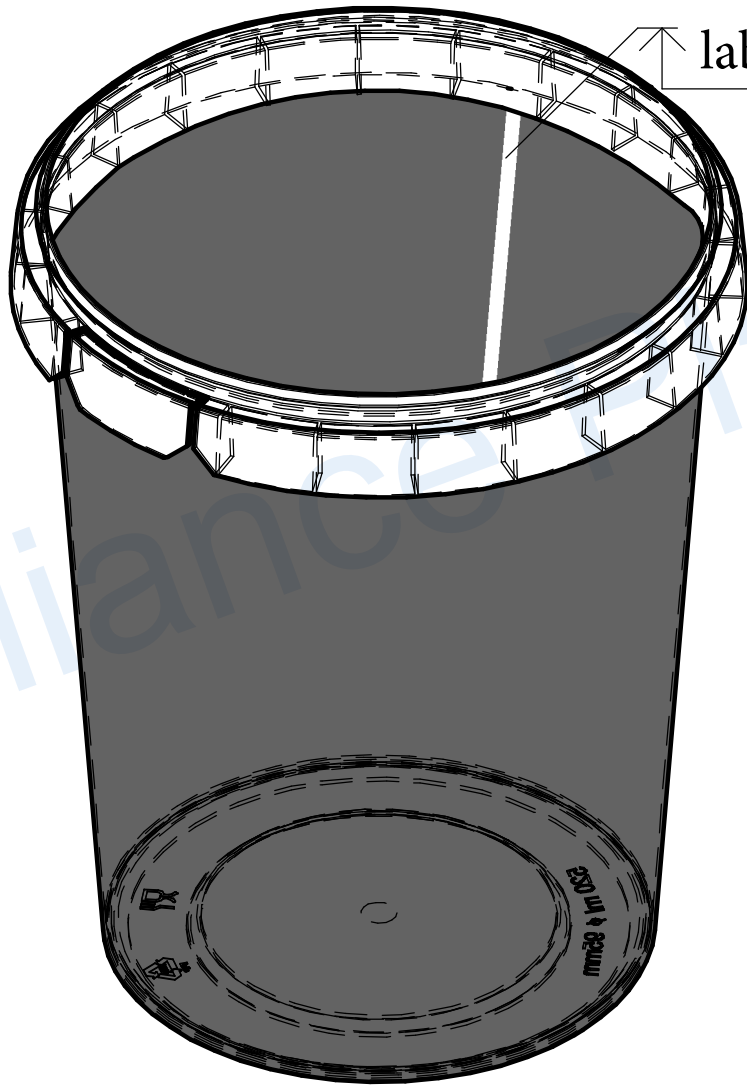



Weight container: 17.6 g.
Weight lid: 5 g.

					Draving Nr.				
					Name				
Ch	Rew	Dokum Nr	Signature	Data	$\varnothing 95$ 520ml	Qty.	Scale	Sheet	
Design by						-	1:1	1/1	
						Material	HRC		
							A4		



label meeting point

Alliance Plast

					Drawing Nr.					
					Name					
Ch	Rew	Dokum Nr	Signature	Data	\varnothing 95 520ml			Qty.	Scale	Sheet
Design by								-	1:1	1/1
					Material	HRC				
										A4